

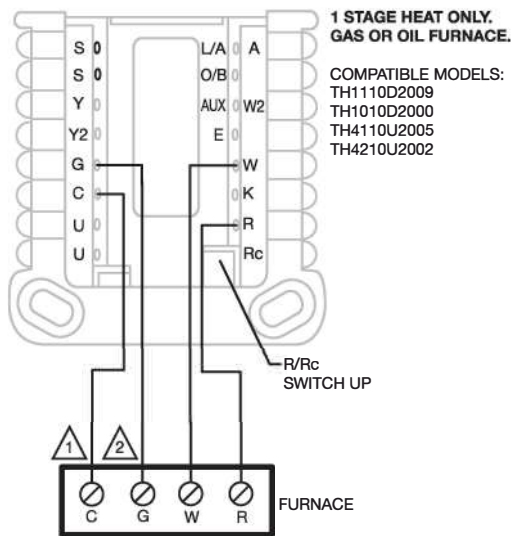


T4 and T1 PRO Wiring Diagrams

ADDENDUM

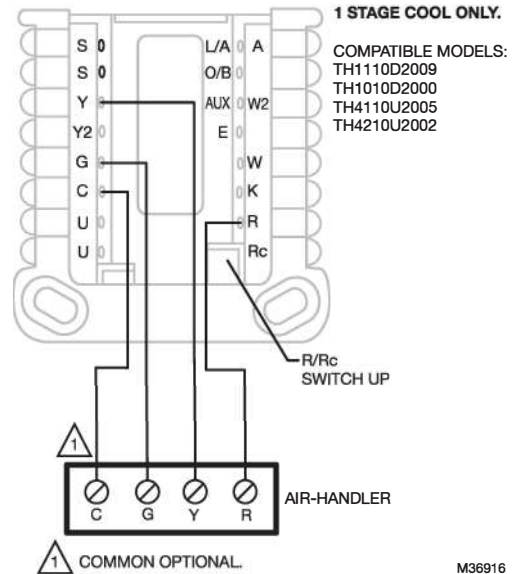
WIRING DIAGRAMS

1 Stage Heat Only: Gas or Oil Furnace



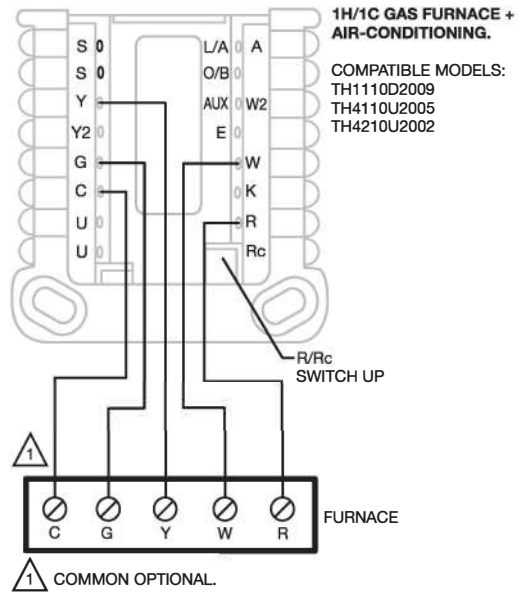
- 1 COMMON OPTIONAL.
 - 2 G USED FOR INDEPENDENT FAN CONTROL ONLY. MOST HEAT ONLY, GAS OR OIL FORCED AIR SYSTEMS DO NOT USE A FAN (G) WIRE.
- M36915

1 Stage Cool Only



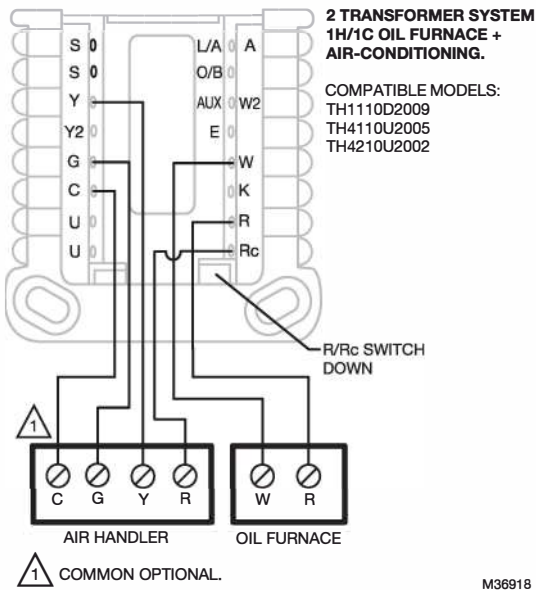
M36916

1H/1C: Gas Furnace



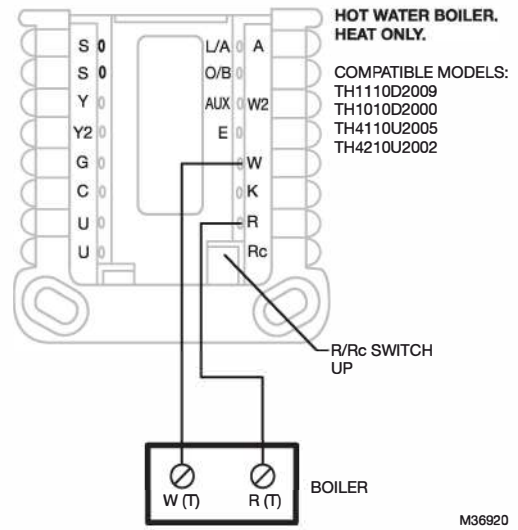
1 COMMON OPTIONAL.

2 Transformer System, 1H/1C: Oil Furnace



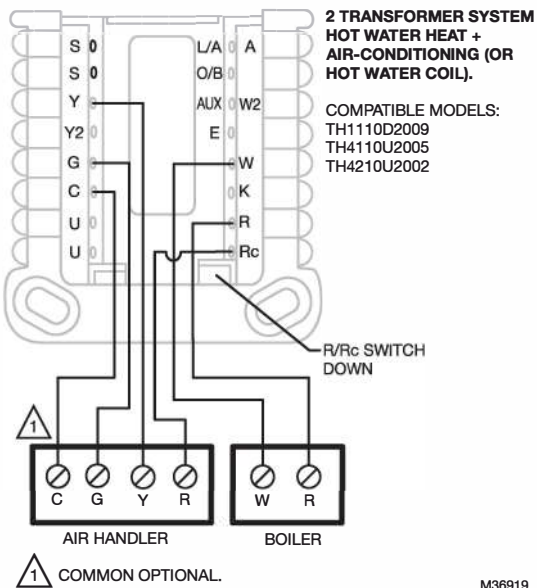
M36918

Hot Water Boiler, Heat Only



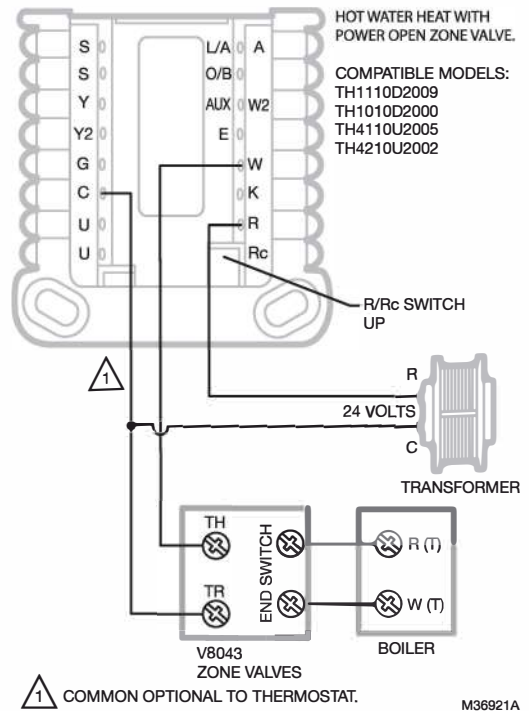
M36920

2 Transformer System, Hot Water Heat with Air-Conditioning (or Hot Water Coil)



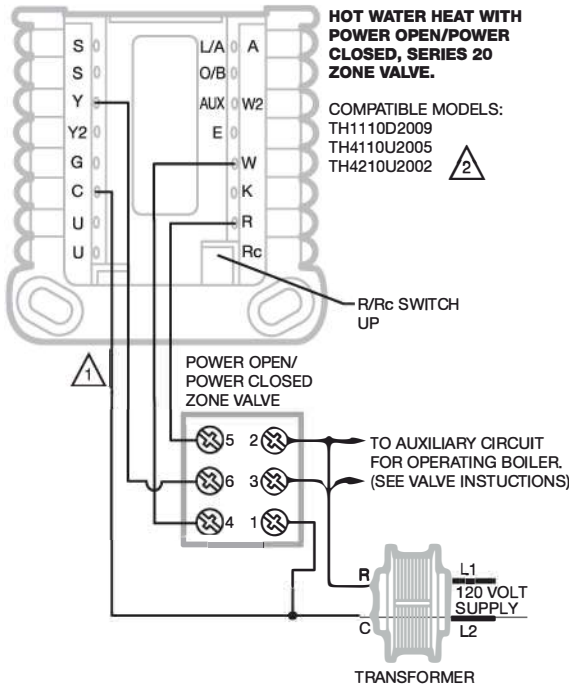
M36919

Hot Water Heat with Power Open Zone Valve



M36921A

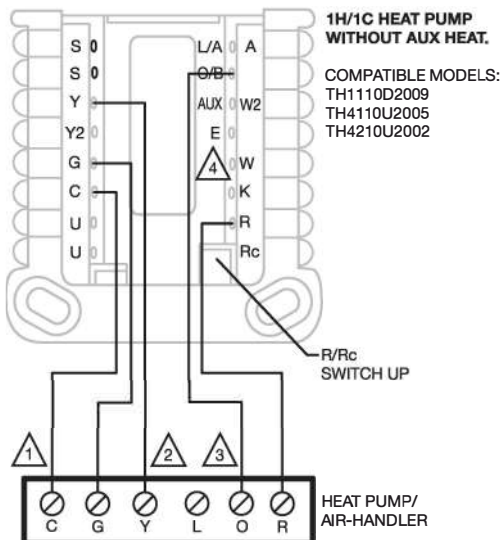
Hot Water Heat with Power Open/ Power Closed, Series 20 Zone Valve



- 1 COMMON OPTIONAL TO THERMOSTAT.
- 2 THERMOSTAT MUST BE CONFIGURED FOR RADIANT HEAT WITH 0 COOL STAGES.

M38662

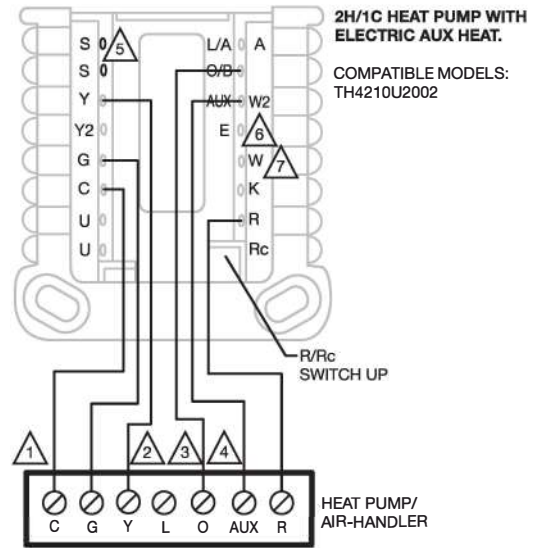
1H/1C: Heat Pump without Aux Heat



- 1 COMMON OPTIONAL.
- 2 L CONNECTION (HEAT PUMP FAULT) NOT AVAILABLE ON T1 AND T4 MODELS. THE TH6210U2001 CAN BE USED IF FAULT INDICATION ON THERMOSTAT IS NEEDED.
- 3 SOME HEAT PUMPS USE B RATHER THAN O FOR REVERSING VALVE.
- 4 DO NOT CONNECT ANY WIRE TO W FOR HEAT PUMP APPLICATIONS! THIS CAN CAUSE HEAT TO RUN CONTINUOUSLY.

M36922

2H/1C: Heat Pump with Electric Aux Heat



- 1 COMMON OPTIONAL.
- 2 L CONNECTION (HEATPUMP FAULT) NOT AVAILABLE ON TH4210U2002 MODEL. THE TH6210U2001 CAN BE USED IF FAULT INDICATION ON THERMOSTAT IS NEEDED.
- 3 SOME HEAT PUMPS USE B RATHER THAN O FOR REVERSING VALVE.
- 4 DIFFERENT HEAT PUMP MODELS LABEL THE AUXILIARY HEAT TERMINAL DIFFERENTLY THAN SHOWN. CONSULT HEAT PUMP WIRING GUIDE.
- 5 IF AUX HEAT LOCKOUT ON HIGH OUTDOOR TEMPERATURE IS REQUIRED, USE TH6220U2000 THERMOSTAT AND C7089U1006 OUTDOOR SENSOR. THE TH4210U2002 CANNOT DO THIS.
- 6 MOST HEAT PUMPS SHARE THE SAME SET OF HEAT STRIPS FOR AUX AND EM HEAT. IN THOSE CASES E ISN'T USED. IF YOU HAVE SEPARATE HEAT SOURCES FOR THE AUX AND EM HEAT, THE TH4210U2002 CANNOT BE SET TO DO THIS. THE TH6320U2008 MODEL CAN BE CONFIGURED FOR SEPARATE AUX AND E. IF THIS IS DONE, WIRE ONE SET OF STRIPS TO E TO BE ENERGIZED IN EM HEAT AND A DIFFERENT SET OF STRIPS TO AUX TO BE ENERGIZED IN AUX HEAT.
- 7 DO NOT CONNECT ANY WIRE TO W FOR HEAT PUMP APPLICATIONS! THIS CAN CAUSE HEAT TO RUN CONTINUOUSLY.

M36923